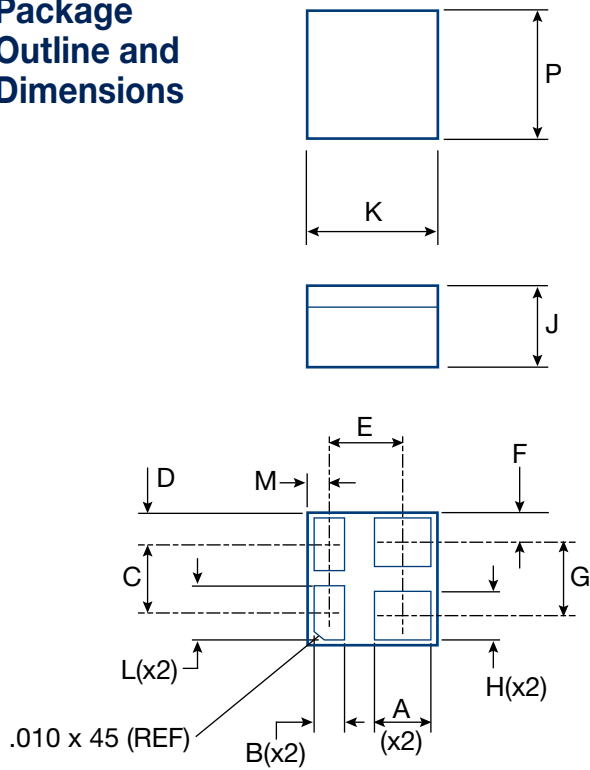


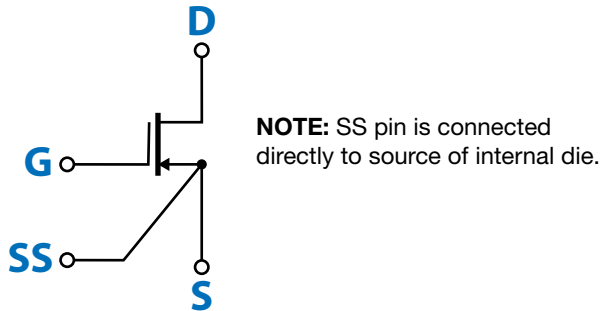
## Package Outline and Dimensions



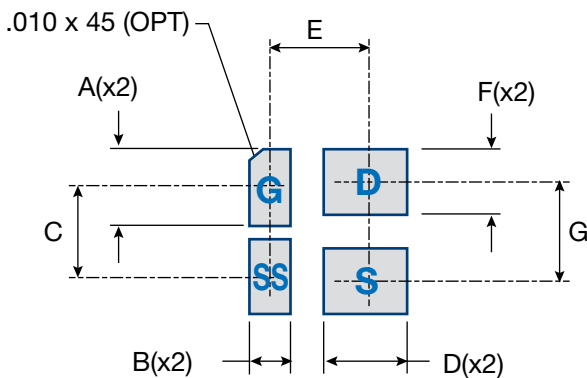
Symbol	Dimensions Nominal		Note
	in	mm	
<b>A</b>	0.062	1.5748	
<b>B</b>	0.032	0.8128	
<b>C</b>	0.068	1.7272	
<b>D</b>	0.031	0.7874	(REF)
<b>E</b>	0.074	1.8796	
<b>F</b>	0.026	0.6604	(REF)
<b>G</b>	0.076	1.9304	
<b>H</b>	0.045	1.1430	
<b>J</b>	0.083	2.1082	(REF)
<b>K</b>	0.130	3.3020	
<b>L</b>	0.053	1.346	
<b>M</b>	0.021	0.5334	(REF)
<b>P</b>	0.130	3.3020	

- Standard tolerances:  
Length:  $\pm 0.005''$  /  $\pm 0.127\text{mm}$
- Standard Terminal Pad finish is a solder alloy of 63%Sn 37%Pb.

## Package Connections



## FSMD-A Footprint for Printed Circuit Board Design



Symbol	Dimensions Nominal		Note
	in	mm	
<b>A</b>	0.057	1.4478	
<b>B</b>	0.036	0.9144	
<b>C</b>	0.063	1.600	
<b>D</b>	0.066	1.6764	
<b>E</b>	0.074	1.8796	
<b>F</b>	0.047	1.1938	
<b>G</b>	0.076	1.9304	